

Fishing boat 24m

General

Yard no.
 Delivery date
 Basic functions Fishing application
 Classification Egyptian Shipping Inspection (ESI)

Dimensions

Length o.a. 23,90 m
 Beam o.a. 6.50 m
 Draught aft 2.60 m

Tank capacities

Fuel oil : 20000 litre
 Fresh water : 6000 litre

Performances (trials)

Speed : 10.0 knots

Propulsion System

Main engines : 1 CAT 3412 HRS.0
 Total power : 600 HP

Auxiliary equipment

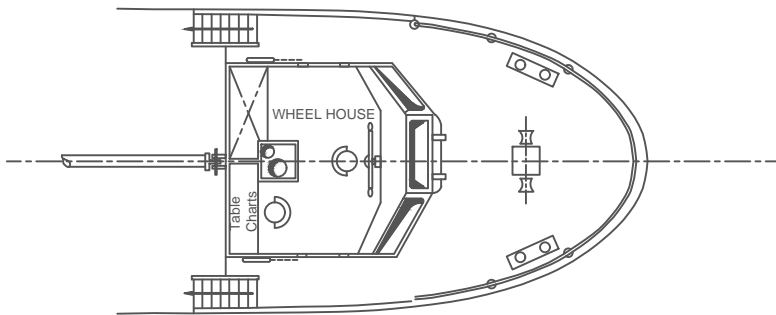
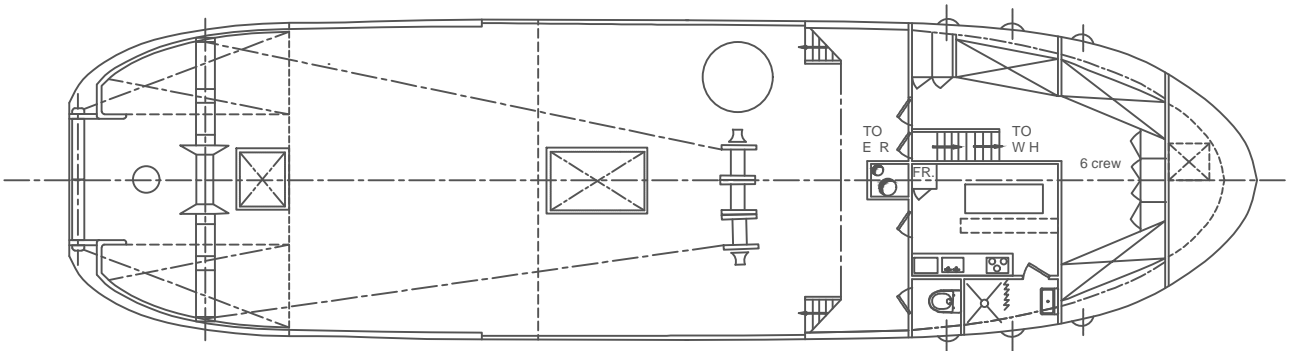
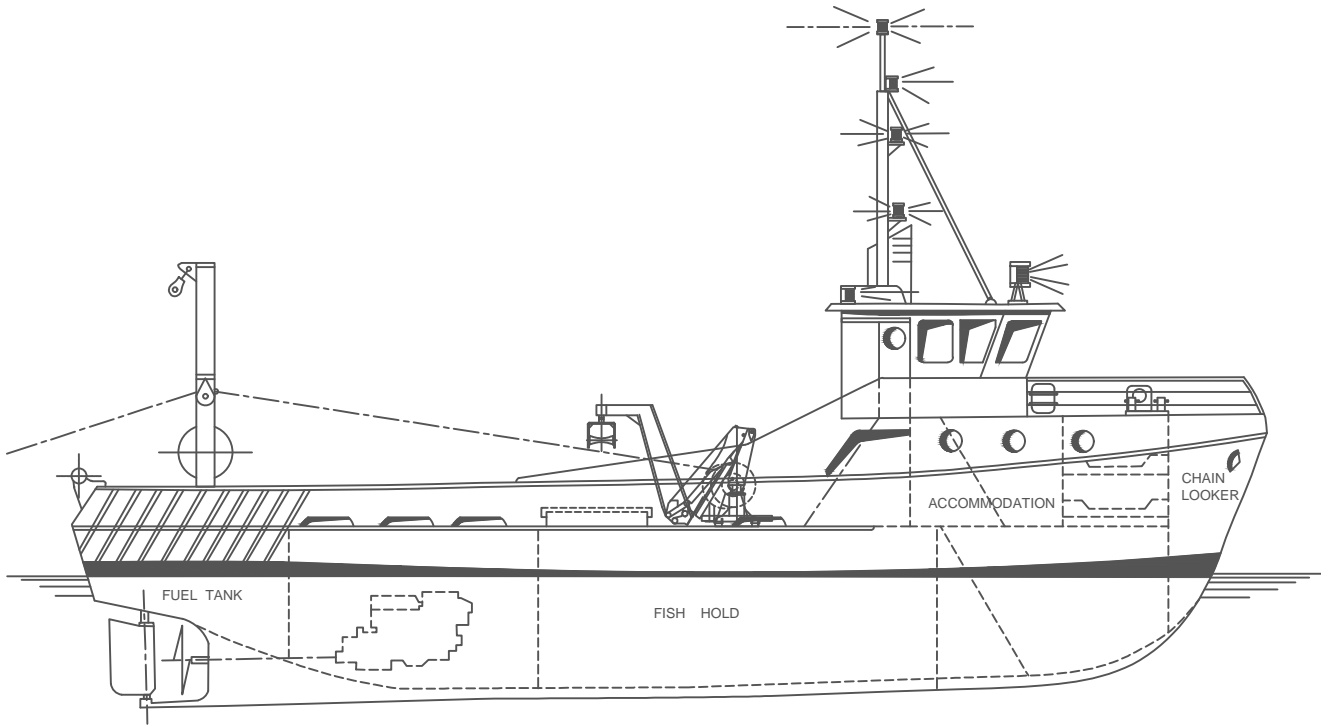
Generator sets : 1 CAT 3304
 Capacity : 65 KW

Accommodation


6 MEN

Nautical and communication equipment

Radar : Furuno
 GPs : Furuno
 Echosounder : Furuno
 Navtex : Furuno
 VHF radio : 2x Sailor
 SSB radio telephone : Furuno



REVISION	DESCRIPTION
C	
B	
A	



Jacobi Spijker dreef 196
2132 PZ Hoofddorp
The Netherlands
Tel. +31 (0)23-5547310

24M-STERN-TRAWLER			
Title : GENERAL-ARRANGEMENT			PROJ.No: AAM201410
Scale:	Drawn:	Size:	REV:
1:20	MOHM ELSAKA	A 0	OMDA MAGDY
			Date: 11-10-2014
			Dwg.No: AAM2014-10-000

This drawing is protected by copyright and property of the designers, no part whatsoever may be copied reproduced modified or used in any manner without permission.